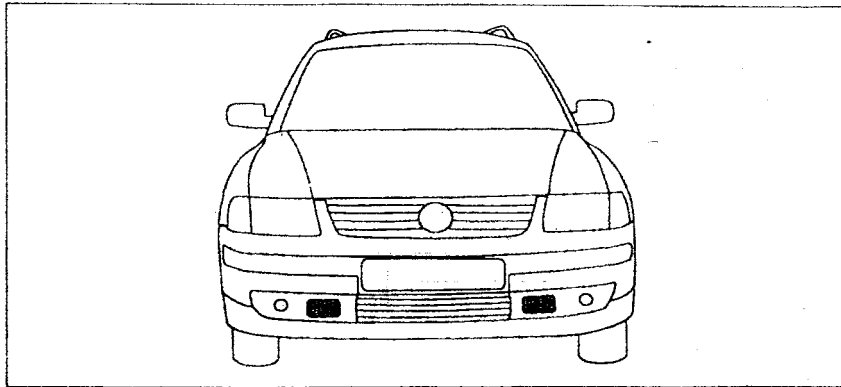




## Foglamp Kit VW Passat '97 - VESTATEC - 03059S

The foglamp kit is designed to fit into the standard bumper by means of precisely fitted bezels and brackets made of high quality ABS plastics.  
Before mounting please check that all listed items are present and read the fitting instructions carefully.



### Fitting alternatives:

As the car equipments differs you have these three possible fitting alternatives:

No.	Car Equipment	Fitting alternative
1	Car is equipped with factory fog lamps  VESTATEC-foglamps are to be installed additionally	VESTATEC-foglamps are to be installed to the original harness. VESTATEC-harness and -switch are not needed. Factory foglamps must be disconnected.
2	Car is <b>not</b> equipped with factory fog lamps  VESTATEC-foglamps are to be installed with the original VWswitch	Connect the original VW-switch, VW-Part-No.: 110094135A01C price: about 110,- DM, (not included) with the VESTATEC-wiring harness.
3	Car is <b>not</b> equipped with factory fog lamps VESTATEC-foglamps are to be installed with the VESTATEC-switch	Install the VESTATEC-foglamps with the VESTATEC-wiring harness and connect with the VESTATEC-switch



Before mounting please check that all listed items are present and read the fitting instructions carefully.

### Parts List

Ref.	Description	Quantity
1	LH bracket incl. projector lamp	1
2	RH bracket incl. projector lamp	1
3	LH bezel	1
4	RH bezel	1
5	aluminium mesh 110x85mm	2
6	horn bracket extension	1
7	screw M8 x 20	1
8	nut M8	1
9	washer M8	1
10	spring washer M8	1
11	wiring harness incl. relay	1
12	electrical assembly incl. switch	1
13	mounting clamp outside	2
14	mounting clamp	2
15	spire clip 4,2	11
16	spire clip 3,9	2
17	screw 3,9 x 19	4
18	screw 4,2 x 16	9
19	switch frame	1

The following spare parts are available:

R ef.	Description	Part No.
1	LH bracket incl. projector lamp and fitting material	03059SEHL
2	RH bracket incl. projector lamp and fitting material	03059SEHR
3	LH bezel incl. fitting material	03059SEBL
4	RH bezel incl. fitting material	03059SEBR
5	projector-foglamp	90602ET
6	foglamp switch	9040411ET

### Painting instructions

Before painting the bezels, please check the correct fitting at the vehicle as well as the case of possible damage.

The bezels are made of ABS and can be painted permanently in any colour. Please consult the painting instructions of your painting system.

Please comply furthermore:

#### 1. Reflector misting

Nowadays modern reflectors have got a kind of ventilation to avoid any corrosion. Depending on the weather this may become condense water inside the lens. That will evaporate shortly after switching on the lights.

Reflector misting is according to the manufacturers depending on the construction but will cause no damage at the durability of the reflector.

**A reflector misting is therefore no reason for any complaints.**

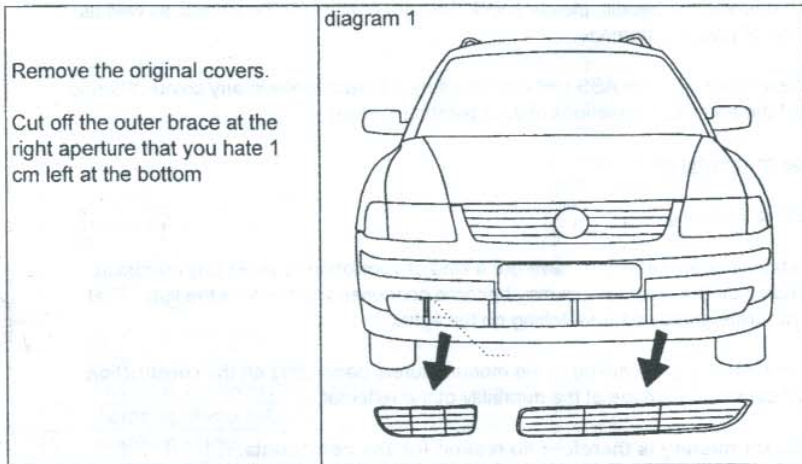
#### 2. Faulty or damaged lamps

Single foglamps are available separately.

A faulty or damaged foglamp can be replaced separately. The complete bracket has not to be replaced.

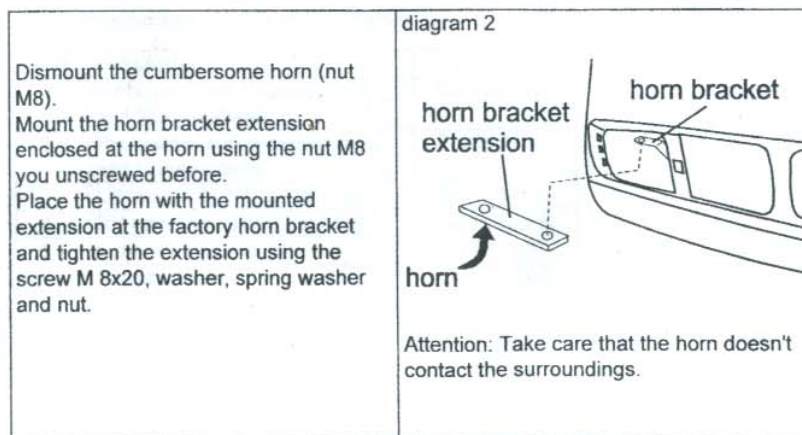
## Fitting Instructions

### Preparing the bumper



### Moving the horn

The horns are behind the right frame. Before installing the foglamps move the lower horn.

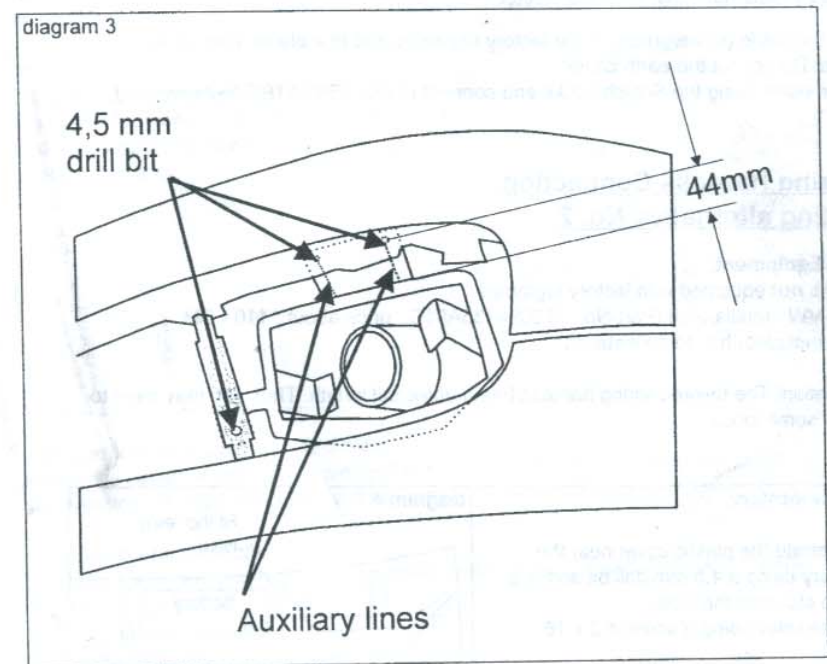


### Bracket Fitting

Fix a blade receptacle at the black foglamp cable.

Copy the auxiliary lines onto the foglamp bracket and insert the brackets into the aperture.

Adjust the bracket so that the hanger fits closely at the edge of the aperture.



Mark now the drilling points onto the bumper according to measurement: 44 mm

Remove the foglamp bracket and drill through the marked drilling points by using a 4,5 mm drill.

On the left hand side make another drill into the vertical brace to obtain an additional fastening point.

Fit the spire clips to the foglamp brackets and place the brackets into the bumper. From the front tighten the brackets with the screws 4.2x16.



Please disconnect vehicle's battery before installation.

### Wiring Harness Connection Fitting alternative No. 1

#### Car Equipment:

Car is equipped with factory foglamps.  
Factory foglamps must be disconnected!

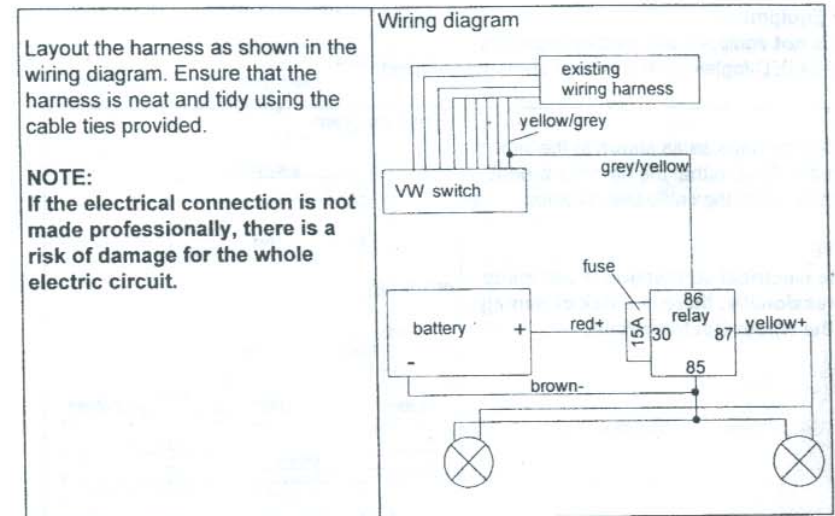
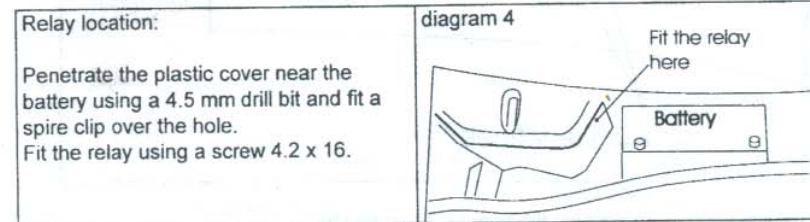
Cut the cable (white/green) of the factory foglamps and fit a blade receptacle.  
Note! Do not cut the earth cable!  
Take earth using the Scotch Locks and connect to the VESTATEC-foglamps.

### Wiring Harness Connection Fitting alternative No. 2

#### Car Equipment:

Car is **not** equipped with factory foglamps.  
The VW - multiswitch (Part-No.: 110094135A01C, price about.: 110,- DM,  
(not included) has to be installed.

Attention! The tailored wiring harness has a universal length. Thus you may have to form some loops.



Remove the lower cover on the drivers side.  
Route the cable for the switch (grey/yellow) through the bulkhead grommet to the multi-switch. Shorten the cable for the switch to the length required.

Remove the multi-switch.  
Connect the cable (grey/yellow) at the multi-switch using a Scotch Lock and mount the switch again.

Reconnect battery.  
Check the operation of the fog lamps.  
The beam angle must be 1° below the horizontal.  
Adjust if necessary using the adjusting screw above the foglamp.

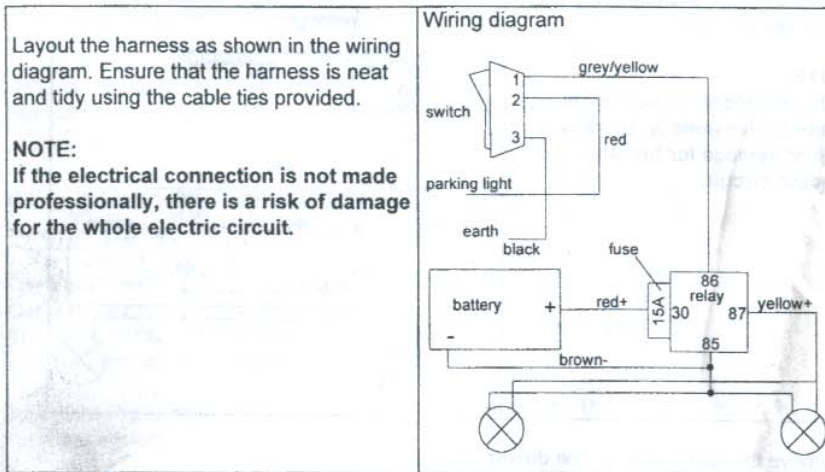
**NOTE:** You have to remove the bezel to adjust the foglamps in future.



## Wiring Harness Connection Fitting alternative No. 3

### Car Equipment:

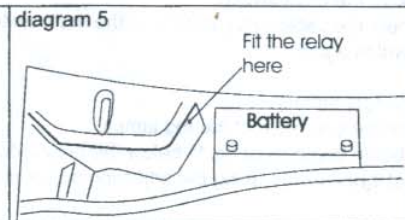
Car is **not** equipped with factory foglamps.  
VESTATEC-foglamps and -switch are to be installed.



Attention! The tailored wiring harness has a universal length. Thus you may have to form some loops.

### Relay location:

Penetrate the plastic cover near the battery using a 4.5 mm drill bit and fit a spire clip over the hole.  
Fit the relay using a screw 4.2 x 16.



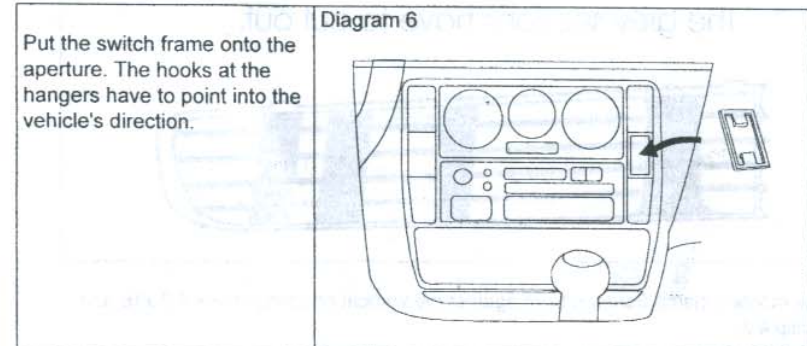
Route the cable for the switch (grey/yellow) through the bulkhead grommet to enter the interior of the car.  
Take care to ensure that this grommet is made watertight once the cable has been passed through.



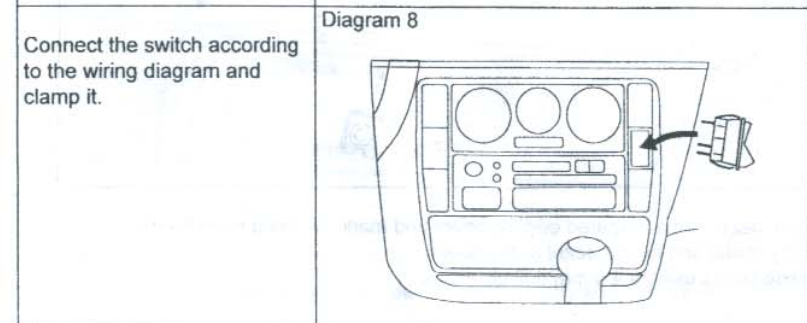
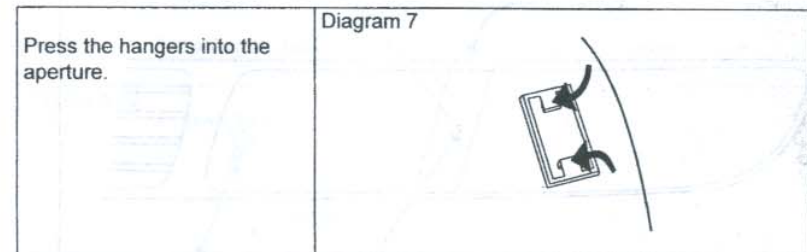
## Switch Installation

Remove the blanking plate of the center console. (diagram 6)

Route the cable for the switch to the aperture in the centre console.



Take the power for parking light 58 and earth 31 from the hazard warning light switch using Scotch Locks.  
Shorten it to the length required and provide it with a connector (female).

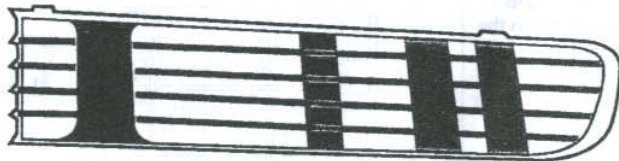


**Preparing the bezels**

Cut the original covers like showing in diagram 9.

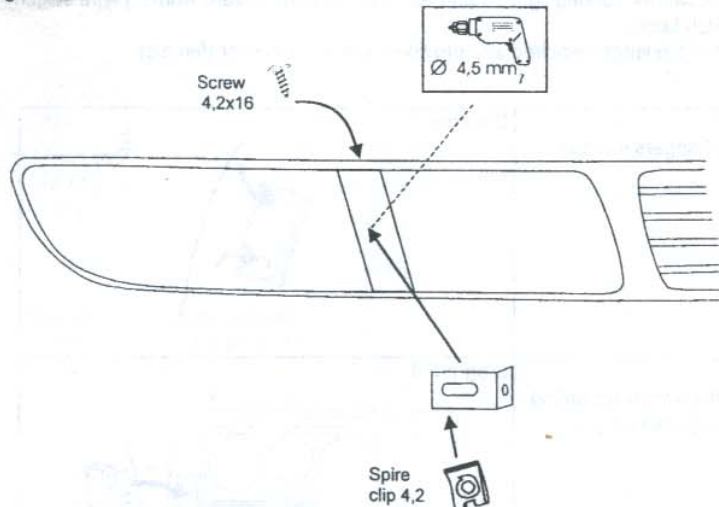
Diagram 9

The grey sections have to cut out.



Fix the mounting clamp from the front against the vertical rib using screw 4.2 x16 and spire clip 4.2.

Diagram 10



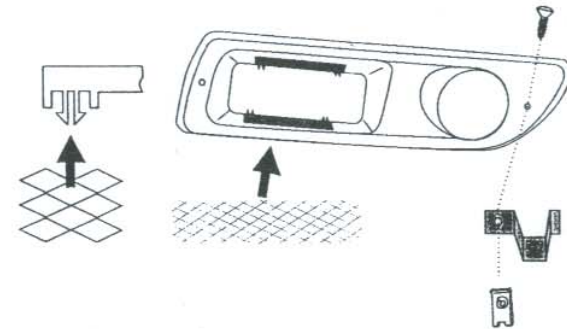
Place the bezel at the prepared original cover and mark the fixing point for the mounting clamp and for the bezel at the cover.  
Drill these points using a 4.5 mm drill bit.

Screw the outer fastening bracket at the frame by using the screw 3.9 x 19 and the spire clip 4.2.

Install the aluminium mesh.

Frontside of the mesh is that side you can't see through

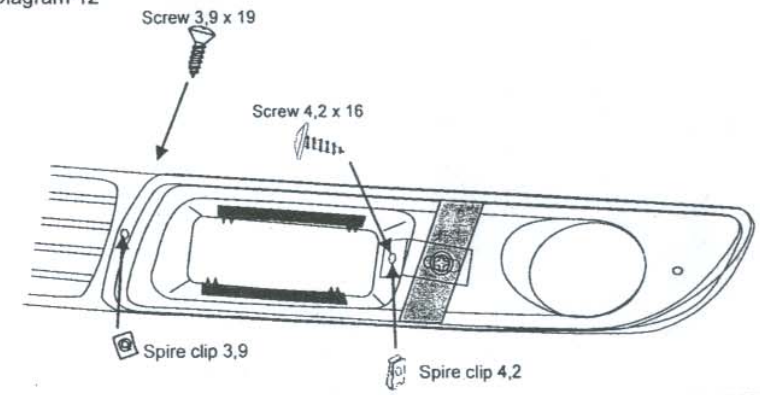
Diagram 11



Insert the bezel into the original cover and fix them with the screws enclosed in accordance to diagram 12

**NOTE:** For using the towing hook you have to remove the bezel.

Diagram 12



Position the complete set into the bumper, adjust it and press it to snap in.