

Locations of electrical/electronic components

1 - Steering angle sensor -G85-

- ◆ Location: On steering column between steering wheel and steering column switch.
- ◆ Observe installation instructions ⇒ [Page 48-24](#)
- ◆ When the steering angle sensor -G85- is replaced, a zero compensation must be performed

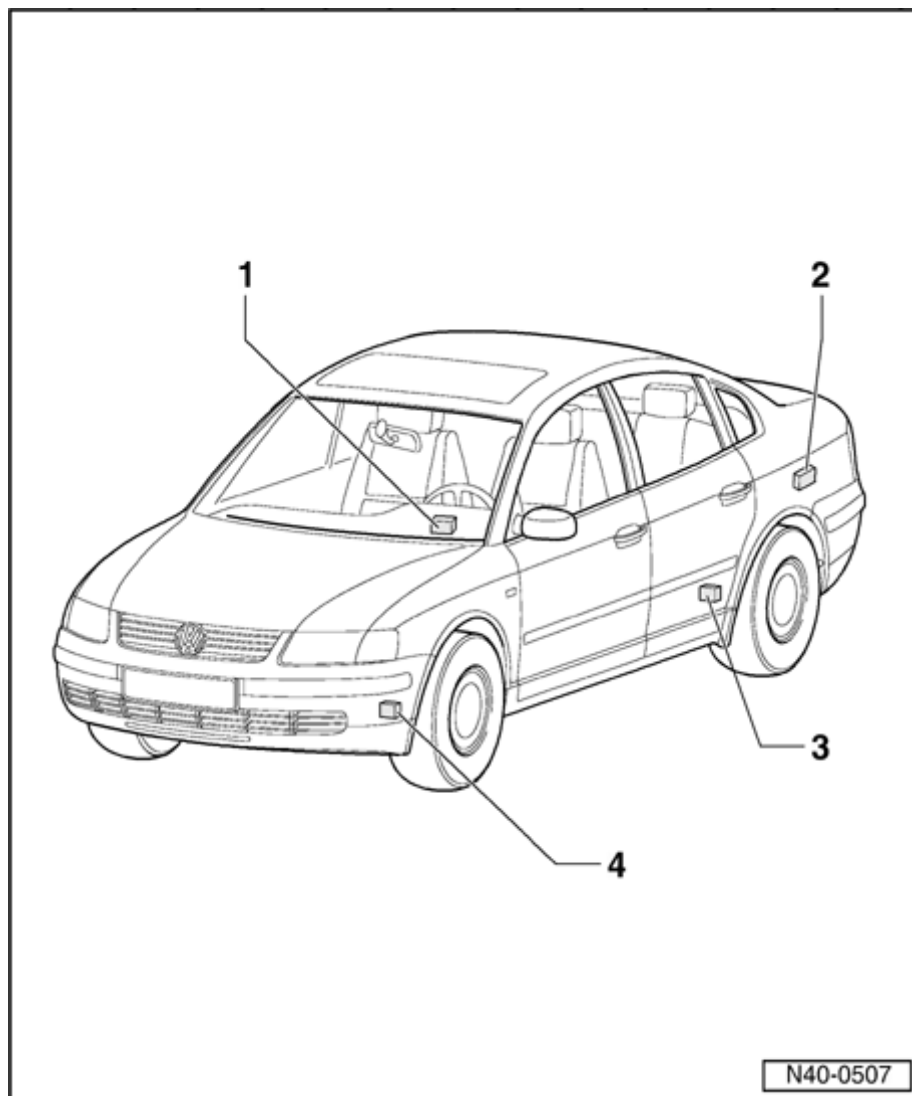
⇒ Perform basic setting in "Guided fault finding" using VAS 5051.

Note:

To do so, you must enter by using the "Go to" key in "Function/Component selection".

2 - Headlight range control module -J431-

- ◆ Location: behind left side cover in luggage compartment ⇒ fig. ⇒ [1](#)

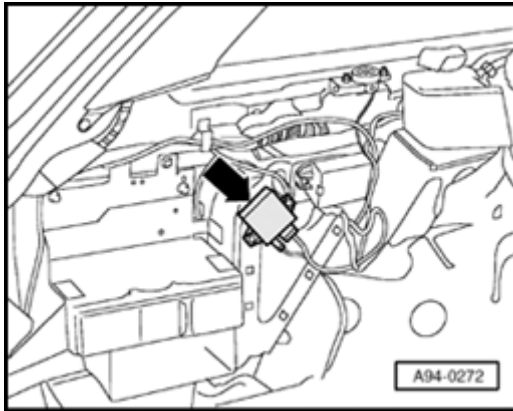


3 - Left rear level control system sensor -G76-

- ◆ General information ⇒ [Page 40-4](#)
- ◆ Location for vehicles with front wheel drive: ⇒ [Page 40-8](#)
- ◆ Location for vehicles with all wheel drive: ⇒ [Page 40-10](#)

4 - Left front level control system sensor -G78-

- ◆ General information ⇒ [Page 40-4](#)
- ◆ Location: ⇒ [Page 40-6](#)



A Fig. 1 Headlight range control module -J431- -arrow-



General Information, Vehicle attitude sensor in vehicles with automatic headlight range control

Vehicles with gas discharge headlights have an automatic headlight range control system as standard.

For its operation, the automatic headlight range control system requires information concerning spring extension and compression distances of the front and rear axles.

For this purpose, a coupling rod transmits the position of the left track control link in relation to the body to the vehicle attitude sensor -G78-, which then transmits electrical signals to the control module for headlight range control.

These signals are transmitted by the vehicle attitude sensor -G76- to the control module for the rear axle.

These signals are required to determine the vehicle attitude.

The automatic range control system reacts automatically to changes in the attitude of the vehicle.



The vehicle attitude can change due to the following;

- ◆ Towing a trailer
- ◆ Various states of load (vehicle empty, vehicle partially or vehicle full)
- ◆ Travelling slowly or extremely fast

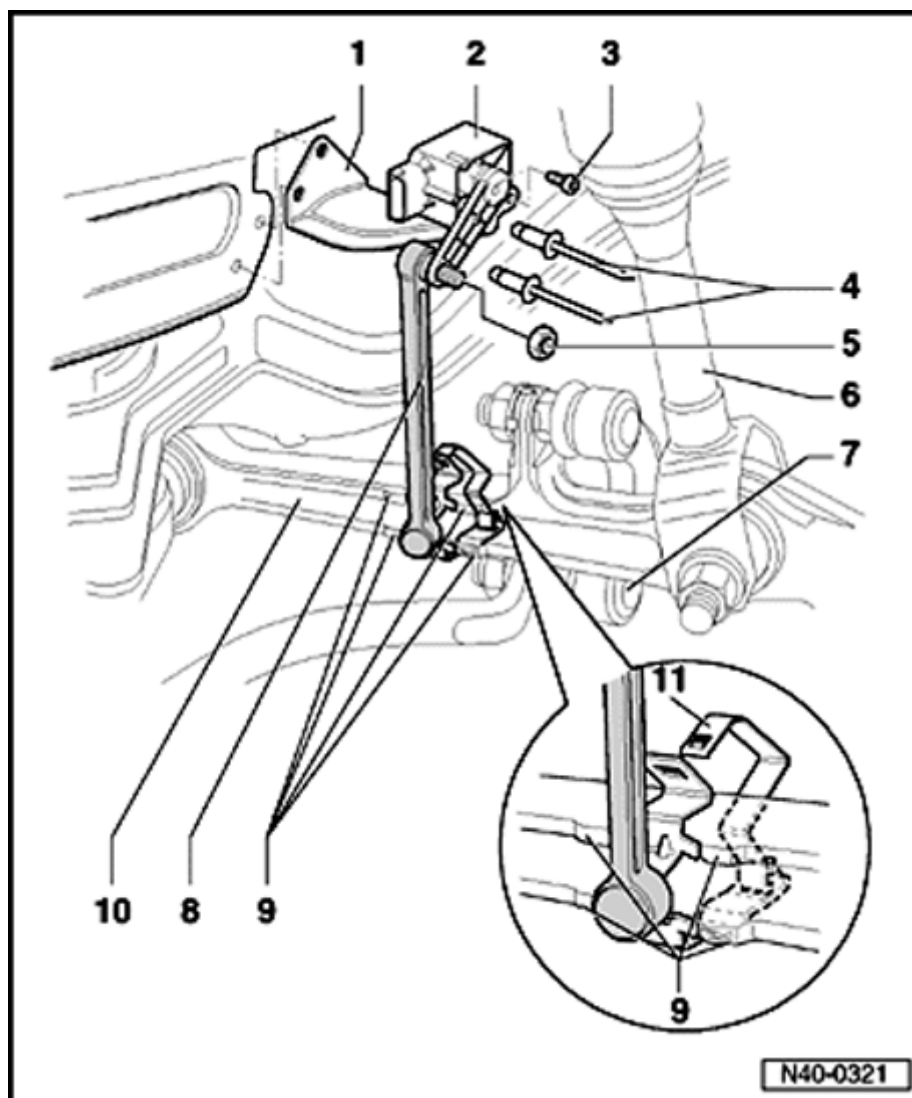
CAUTION!

Adjustment of headlights!

A check of the headlight basic setting is always required when:

- ◆ the retaining clip for the coupling rod on the track control link has been loosened;
- ◆ the track control link was removed and installed or replaced;
- ◆ the rear axle has been removed and installed or replaced (vehicles with front wheel drive);

- ◆ the lower wishbone was removed and installed or replaced (vehicles with all wheel drive);
- ◆ assembly work has been performed on vehicle attitude sensor, or
- ◆ vehicle attitude sensor has been replaced.



Left front level control system sensor -G78- on front axle, checking

General information ⇒ [Page 40-4](#)

Headlight basic settings

⇒ Perform basic setting in "Guided fault finding" using VAS 5051.

To do so, you must enter by using the "Go to" key in "Function/Component selection".

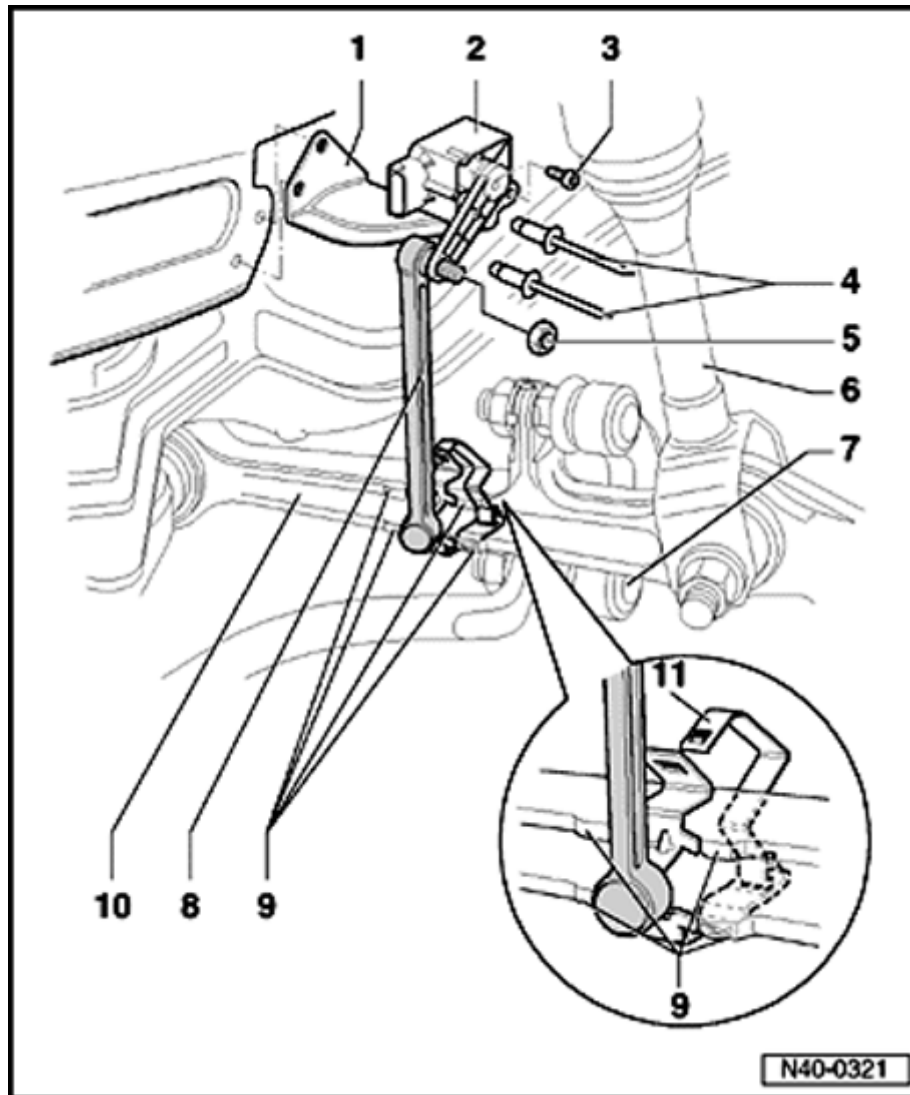
1 - Bracket

2 - Left front level control system sensor -G78-

- ◆ Checked electrically via self-diagnosis
- ◆ When complaints are received

⇒ Perform basic setting in "Guided fault finding" using VAS 5051.

To do so, you must enter by using the "Go to" key in "Function/Component selection".



3 - Hex socket head bolt, 10 Nm

4 - Pop rivet

5 - Self-locking nut, 10 Nm

◆ Replace each time after removing

6 - Suspension strut

7 - Anti-roll bar connecting link

8 - Coupling rod from vehicle attitude sensor -G78-

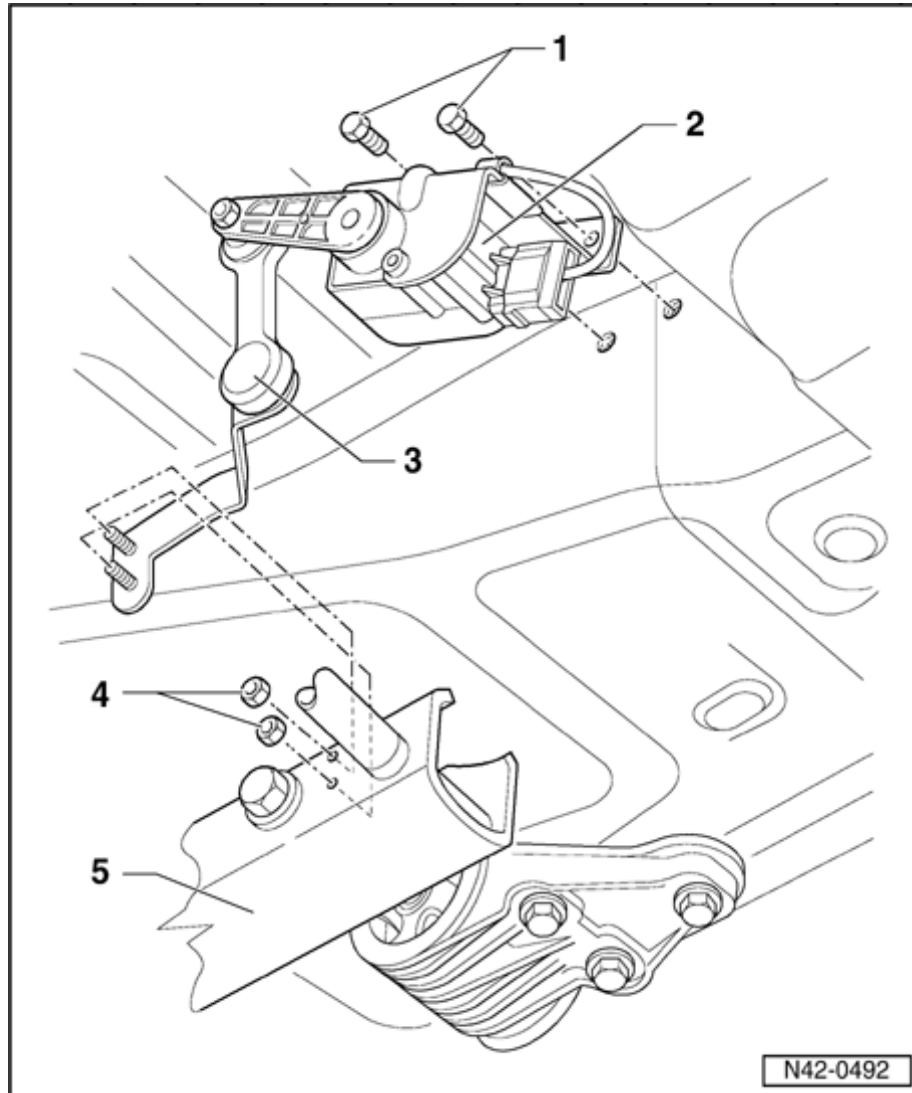
◆ Do not remove coupling rod off ball head!

9 - Positioning marks on track control link indicate installation position of vehicle attitude sensor -G78-

10 - Track control link

11 - Clip

◆ Pry off, with a blade type screwdriver



Left rear level control system sensor -G76- on rear axle, vehicles with front wheel drive, checking

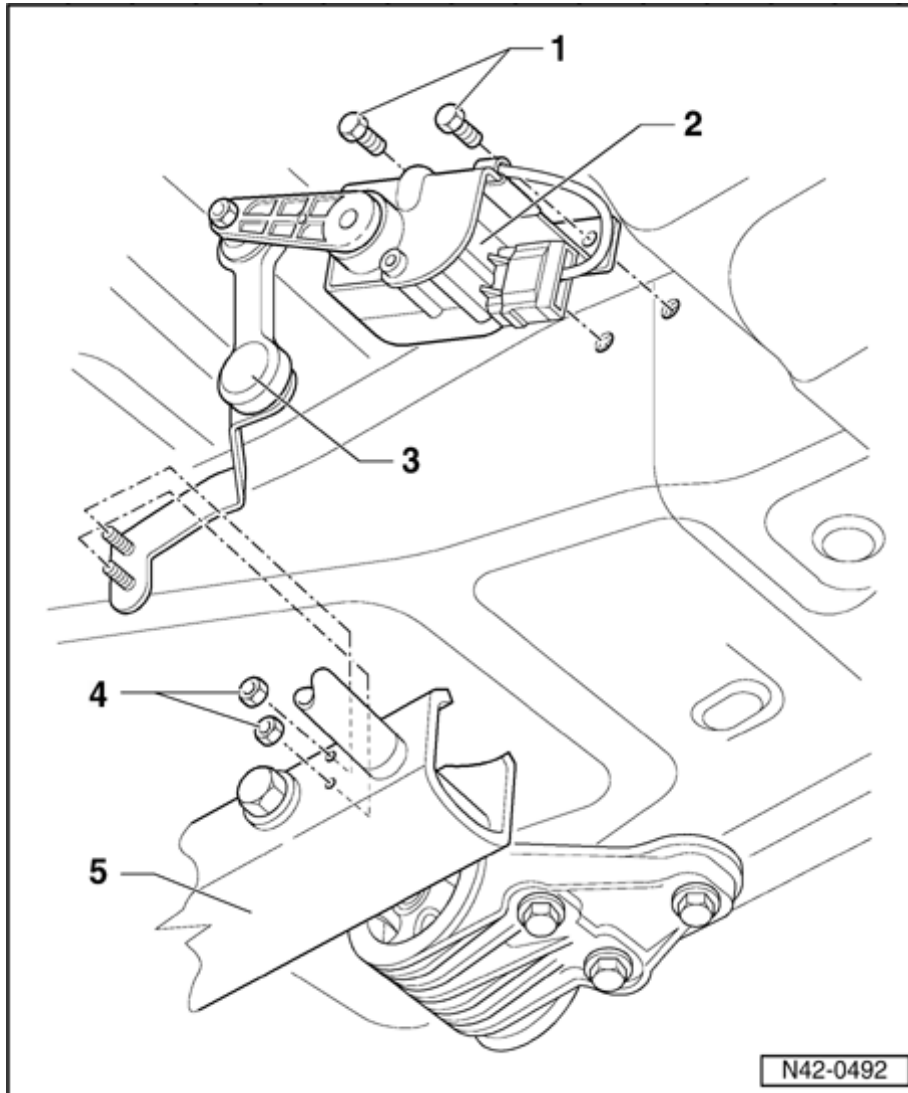
General information ⇒ [Page 40-4](#)

Headlight basic settings

⇒ Perform basic setting in "Guided fault finding" using VAS 5051.

To do so, you must enter by using the "Go to" key in "Function/Component selection".

1 - Hex bolt, 10 Nm



2 - Left rear level control system sensor -G76-

- ◆ Checked electrically via self-diagnosis
- ◆ When complaints are received

⇒ Perform basic setting in "Guided fault finding" using VAS 5051.

To do so, you must enter by using the "Go to" key in "Function/Component selection".

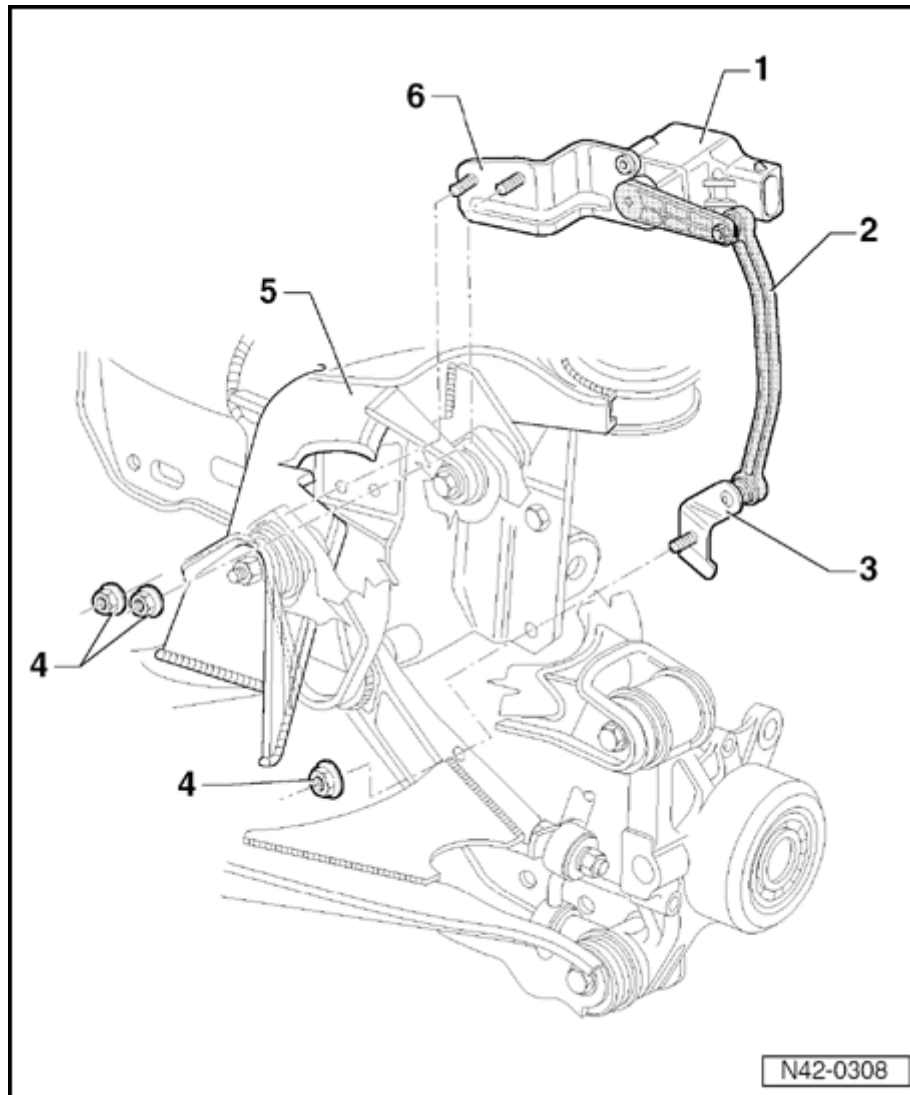
3 - Coupling rod from vehicle left rear level control system sensor -G76-

- ◆ Do not remove connecting link off ball head!

4 - Self-locking nut, 10 Nm

- ◆ Replace each time after removing

5 - Axle beam



Left rear level control system sensor -G76- on rear axle, vehicles with all wheel drive, checking

General information ⇒ [Page 40-4](#)

Headlight basic settings

⇒ Perform basic setting in "Guided fault finding" using VAS 5051.

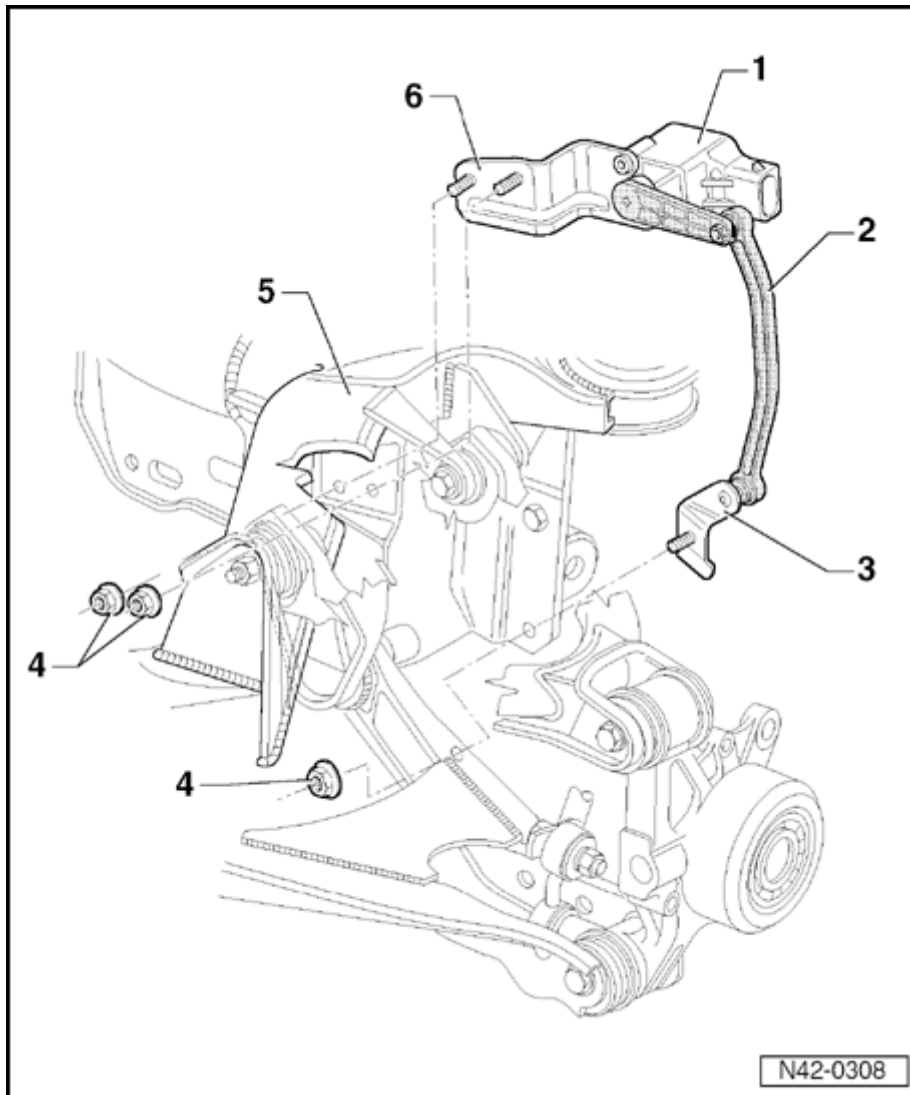
To do so, you must enter by using the "Go to" key in "Function/Component selection".

1 - Vehicle attitude sensor, rear left -G76-

- ◆ Checked electrically via self-diagnosis
- ◆ When complaints are received

⇒ Perform basic setting in "Guided fault finding" using VAS 5051.

To do so, you must enter by using the "Go to" key in "Function/Component selection".



2 - Coupling rod from vehicle Left rear level control system sensor, rear left -G76-

◆ Do not remove connecting link off ball head!

3 - Bracket

4 - Self-locking nut, 10 Nm

◆ Replace each time after removing

5 - Subframe

6 - Bracket